



Tubular cable lug, standard type

Technical Specification :

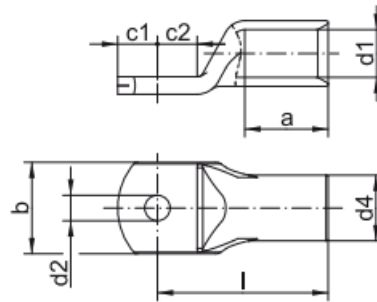
Material: copper (EN13600).

Surface: tin-plated to protect against corrosion.

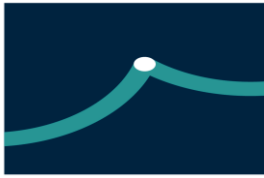
Characteristics:

- Annealed materials optimizes material and crimping properties.
- To DIN EN 61373 class 1B vibration tested.
- Simple and safe connection due to flat contact surfaces and internal chamfer.
- Item identification on cable lug.

Drawing :



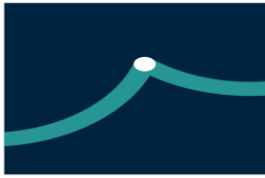
Cross Section mm ²	Size Of Bolt Diam.	Dim. a	Dim. b	Dim. d1	Dim. d2	Dim. d4	Dim. c1	Dim. c2	Dim. l	Weight /100pcs (kg)
6	M5	9.0	10.0	3.5	5.3	6.5	6.50	7.5	21	0.50
	M6	9.0	12.0	3.5	6.4	6.5	6.50	7.5	21	0.47
	M8	9.0	15.0	3.5	8.4	6.5	10.0	10.0	23	0.54
	M10	9.0	17.0	3.5	10.5	6.5	12.0	12.0	25	0.59



Becatech

Interconnective Power

	M12	9.0	19.0	3.5	13.0	6.5	13.0	13.0	28	0.63
10	M5	10.0	12.0	4.5	5.3	7.0	6.50	7.5	22	0.50
	M6	10.0	12.0	4.5	6.4	7.0	6.50	7.5	22	0.49
	M8	10.0	15.0	4.5	8.4	7.0	10.0	10.0	25	0.58
	M10	10.0	17.0	4.5	10.5	7.0	12.0	12.0	27	0.62
	M12	10.0	19.0	4.5	13.0	7.0	13.0	13.0	29	0.64
16	M5	13.0	12.0	5.5	5.5	8.5	5.50	6.5	26	0.84
	M6	13.0	12.0	5.5	6.4	8.5	6.25	7.5	27	0.86
	M8	13.0	15.0	5.5	8.3	8.5	8.50	9.5	29	0.93
	M10	13.0	17.0	5.5	10.5	8.5	10.5	11.5	31	0.99
	M12	13.0	19.0	5.5	13.0	8.5	12.0	13.0	33	1.02
25	M5	15.0	14.0	7.0	5.3	10.0	7.50	7.5	30	1.22
	M6	15.0	14.0	7.0	5.3	10.0	7.50	7.5	30	1.20
	M8	15.0	16.0	7.0	8.4	10.0	10.0	10.0	32	1.31
	M10	15.0	18.0	7.0	10.5	10.0	12.0	12.0	34	1.57
	M12	15.0	19.0	7.0	13.0	10.0	13.0	13.0	35	1.39
	M14	15.0	21.0	7.0	15.0	10.0	14.5	14.5	38	1.49
35	M6	17.0	17.0	8.5	6.4	12.0	7.50	7.5	32	1.85
	M8	17.0	17.0	8.5	8.4	12.0	10.0	10.0	34	2.00
	M10	17.0	19.0	8.5	10.5	12.0	12.0	12.0	37	2.13
	M12	17.0	21.0	8.5	13.0	12.0	13.0	13.0	38	2.12
	M14	17.0	21.0	8.5	15.0	12.0	14.5	14.5	40	2.18
	M16	17.0	26.0	8.5	17.0	12.0	16.0	16.0	42	2.24
50	M6	19.0	20.0	10.0	6.4	14.0	10.0	10.0	37	3.00
	M8	19.0	20.0	10.0	8.4	14.0	10.0	10.0	37	2.93
	M10	19.0	20.0	10.0	10.5	14.0	12.0	12.0	39	3.08
	M12	19.0	23.0	10.0	13.0	14.0	13.0	13.0	43	3.23
	M14	19.0	23.0	10.0	15.0	14.0	14.5	14.5	45	3.32
	M16	19.0	28.0	10.0	17.0	14.0	16.0	16.0	46	3.38
	M20	19.0	30.0	10.0	21.0	14.0	19.0	19.0	48	3.46
70	M6	21.0	23.0	12.0	6.4	16.5	10.0	10.0	43	4.49
	M8	21.0	23.0	12.0	8.5	16.5	10.0	10.0	43	4.38
	M10	21.0	23.0	12.0	10.5	16.5	12.0	12.0	44	4.54
	M12	21.0	23.0	12.0	13.0	16.5	13.0	13.0	46	4.63
	M14	21.0	23.0	12.0	15.0	16.5	14.5	14.5	48	4.76
	M16	21.0	28.0	12.0	17.0	16.5	16.0	16.0	50	4.24
	M20	21.0	30.0	12.0	21.0	16.5	19.0	19.0	53	5.09
95	M8	25.0	26.0	13.5	8.4	18.0	12.0	12.0	48	5.44
	M10	25.0	26.0	13.5	10.5	18.0	12.0	12.0	48	5.40



Becatech

Interconnective Power

	M12	25.0	26.0	13.5	13.0	18.0	13.0	13.0	49	5.56
	M14	25.0	26.0	13.5	15.0	18.0	14.5	14.5	51	5.62
	M16	25.0	28.0	13.5	14.0	18.0	16.0	16.0	54	5.82
	M20	25.0	36.0	13.5	21.0	18.0	22.0	22.0	60	6.71
120	M8	26.0	28.0	15.0	8.4	19.5	14.0	14.0	51	6.72
	M10	26.0	28.0	15.0	10.5	19.5	14.0	14.0	51	6.57
	M12	26.0	28.0	15.0	13.0	19.5	14.0	14.0	51	6.38
	M14	26.0	28.0	15.0	15.0	19.5	15.0	15.0	52	6.45
	M16	26.0	30.0	15.0	17.0	19.5	16.0	16.0	54	6.51
	M20	26.0	36.0	15.0	21.0	19.5	22.0	22.0	63	7.74
150	M8	30.0	31.0	16.5	8.5	21.0	14.0	14.0	56	7.78
	M10	30.0	31.0	16.5	10.5	21.0	14.0	14.0	56	7.62
	M12	30.0	31.0	16.5	13.0	21.0	15.0	15.0	57	7.73
	M14	30.0	31.0	16.5	15.0	21.0	15.0	15.0	57	7.64
	M16	30.0	31.0	16.5	17.0	21.0	16.0	16.0	58	7.53
	M20	30.0	36.0	16.5	21.0	21.0	22.0	22.0	66	8.80
185	M10	30.0	35.0	19.0	10.5	24.0	18.0	18.0	65	11.75
	M12	30.0	35.0	19.0	13.0	24.0	18.0	18.0	65	11.82
	M14	30.0	35.0	19.0	15.0	24.0	18.0	18.0	65	11.39
	M16	30.0	35.0	19.0	17.0	24.0	18.0	18.0	65	11.24
	M20	30.0	39.0	19.0	21.0	24.0	22.0	22.0	69	12.00
240	M10	35.0	39.0	21.0	10.5	26.0	21.5	19.0	72	14.72
	M12	35.0	39.0	21.0	13.0	26.0	21.5	19.0	72	14.55
	M14	35.0	39.0	21.0	15.0	26.0	21.5	19.0	72	14.24
	M16	35.0	39.0	21.0	17.0	26.0	21.5	19.0	72	14.09
	M20	35.0	39.0	21.0	21.0	26.0	21.5	19.0	72	13.60
300	M12	44.0	43.0	23.5	13.0	29.5	24.0	24.0	87	23.33
	M14	44.0	43.0	23.5	15.0	29.5	24.0	24.0	87	23.14
	M16	44.0	43.0	23.5	17.0	29.5	24.0	24.0	87	22.74
	M20	44.0	43.0	23.5	21.0	29.5	24.0	24.0	87	22.19
400	M12	44.0	49.0	27.0	13.0	34.0	24.0	24.0	90	32.41
	M14	44.0	49.0	27.0	15.0	34.0	24.0	24.0	90	32.24
	M16	44.0	49.0	27.0	17.0	34.0	24.0	24.0	90	31.98
	M20	44.0	49.0	27.0	21.0	34.0	24.0	24.0	90	31.41